

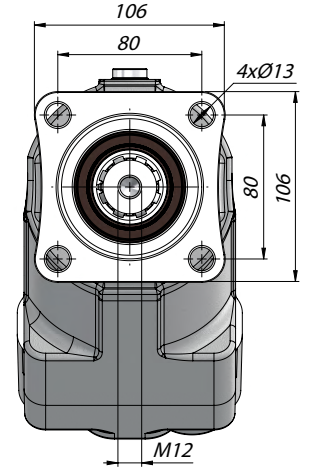
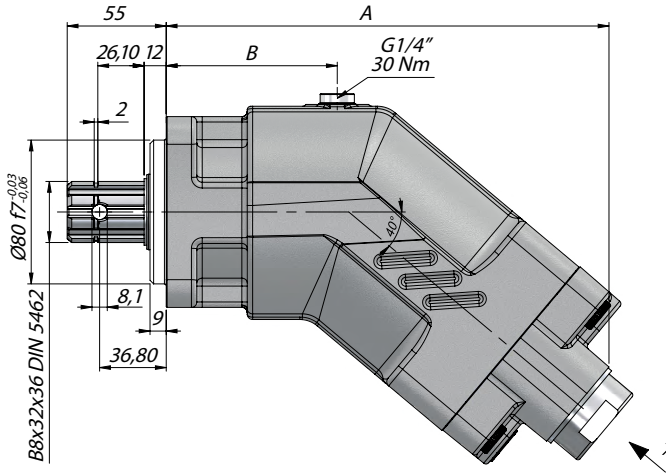
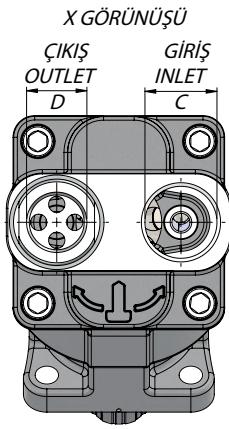
TECHNICAL DATA

Bent-Axis Piston Pump

Aluminum Body



HYDRAULIC SYMBOL



Tightening Torque Of The Plugs

G1/2"	200 Nm
G3/4"	330 Nm
G1"	480 Nm
G1 1/4"	720 Nm

Code	Displacement	Max.Continuous Pressure	Max.Intermittent Pressure	Max.Peak Pressure	Max.Continuous Speed	Min.Speed	A	B	C Inlet	D Outlet
Left (L) / Right (R)	(cm ³ /rev)	(100%)(BAR)	(20 sec.max.)(BAR)	(6 sec.max.)(BAR)	(RPM)	(RPM)	(mm)	(mm)		
KH03070220142L/R-2	22	300	320	350	2920	300	172	60	G3/4"	G1/2"
KH03070330142L/R-2	33				2890					
KH03070450142L/R-2	45				2250					
KH03070560142L/R-2	56				2300		80	G1"	G3/4"	
KH03070650142L/R-2	65				2300					
KH03070800142L/R-2	80				2135		95	G1 1/4"	G1"	
KH03071070142L/R-2	107				1850					
KH03071250142L/R-2	125	250	270	300	1790	256				